

UltraDeck®

Rustic™

Installation:

- 1** Make sure post sleeves and ring bases are installed. Check the plumb of the posts in both directions.
- 2** Properly size the rails and metal insert by measuring the distance between the two post sleeves and cut to the desired length. Save the trimmed piece of the metal insert to be used with the support block.

**Instructions continued
on back of page.**

6' ULTRADECK RAIL KIT

- 112-0970 Rustic Gray**
- 112-0977 Rustic Cedar**
- 112-0984 Rustic Hickory**
- 112-0991 Rustic Redwood**

UltraDeck® Rail Kits are the perfect compliment to any decking surface - from composite to treated or cedar! Also can be applied to concrete and masonry patios.

DIMENSIONS:

72" x 36"

Installed Height



Kit Includes:

- 2 Rails
- 1 Metal Insert
- 15 Spindles
- 1 Support Block
- Fasteners

**Matching Post Sleeves
& Stair Rail Kits also
available.**

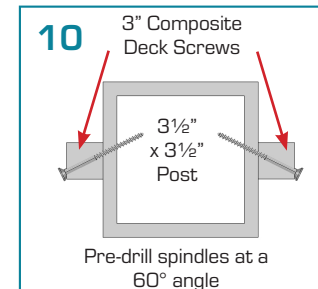
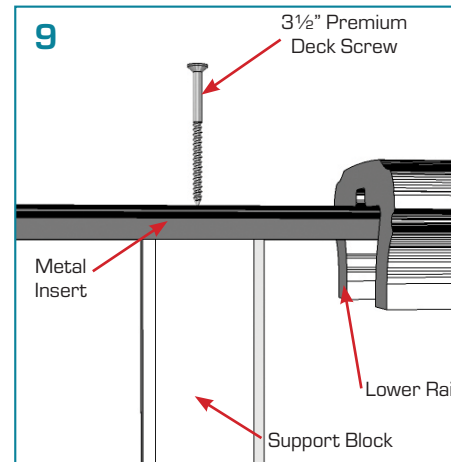
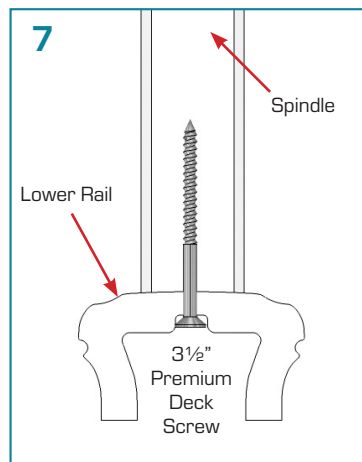
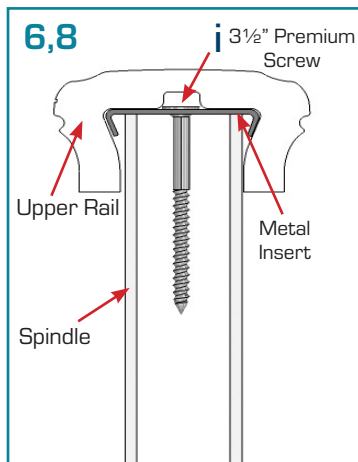
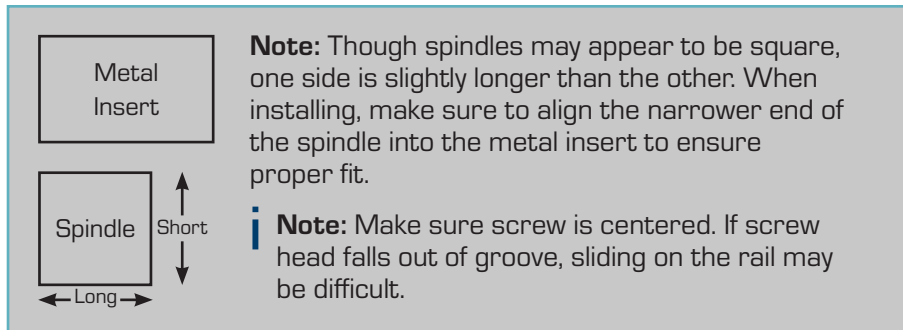
Recommended Tools:

- Safety Glasses
- Drill
- #2 Square Bit
- #2 Phillips Bit
- 1/8" Drill Bit
- Tape Measure
- Chop Saw
- Square
- Level
- Construction Calculator

Rustic™ Installation Continued:

- Starting with the end spindle, set flush with the end of the metal insert, continue down the metal insert, evenly spacing spindles, making sure to meet local building code for spacing. Keep in mind the opposite end spindle is placed flush with the opposite end of the metal insert. Mark the center of each spindle on the metal insert. Remove the spindle and pre-drill the metal insert using a 1/4" drill bit.
- On each end of the spindles, pre-drill the center, using a 1/8" drill bit to avoid splitting. Each outside spindle will need to be pre-drilled to attach the completed rail to the post sleeves. Using a 1/8" drill bit, drill three holes at a 60° angle in the spindle, spacing them 3 1/2" from the top and bottom, and one on center.
- All rail spans over 3' require a spindle support block centered under the lower rail assembly. Check with local building codes and cut the support block to the required height.

- Taking the metal insert, begin to slide the spindles into place, aligning the pre-drilled holes. Starting with the center spindle, attach metal insert and spindles using 3 1/2" premium deck screws. Attach post spindles flush on the two ends of the assembly. Remember spindles must be centered to ensure ease of assembly when attaching the top rail. Do not use 3" composite deck screws.
- Position the lower rail so the spindles will rest on the top side of the rail. Secure the spindles to the rail from the underside using 3 1/2" premium deck screws. Do not use 3" composite deck screws. Screws should be snug; do not over tighten.
- Slide the top rail onto the metal insert with attached spindles. This is intended to be a tight fit; please use soap as a lubricant if needed.
- To install the support block, take the trimmed piece of metal insert, slide the support block into the metal insert, and secure with a premium 3 1/2" deck screw. Slide the insert to the center of the lower rail.
- Position the rail assembly between the post sleeves, following local building code height requirements. Secure the post spindles to the post sleeves using six 3" composite deck screws through the pre-drilled holes.
- Align the post caps with the top of the post sleeve and slide into place. A silicone adhesive may be used to secure the cap.



Questions?
Contact us by chat or email at
www.UltraDeck.com